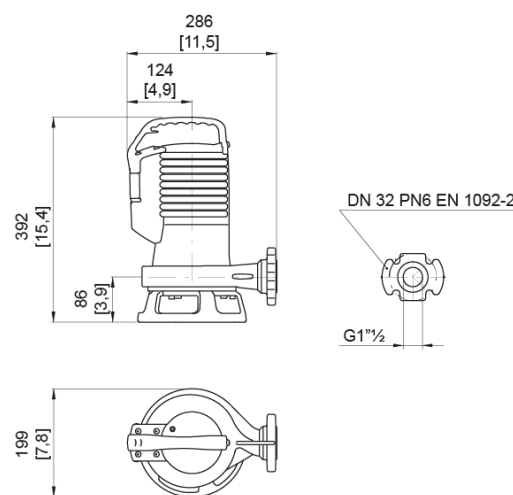
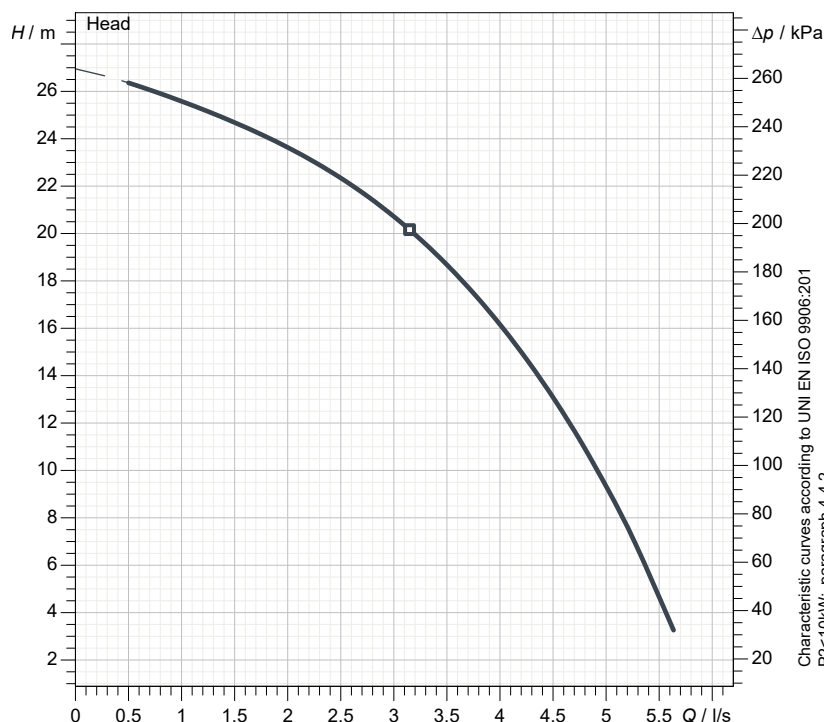




better together

Data sheet

**GR BluePRO 200/2/G40H A1CT5****blue**  
PROFESSIONAL  
series**Technical specification****3~ 50 Hz**[ mm ]  
[ inch ]**Pump**

Series	BluePRO series
Pump name	GR BluePRO 200/2/G40H A1CT5
Configuration	NGTRB51040N00CX
Standard	IEC 60079-0, IEC 60079-15
IECEX mark	Ex nA nC IIC T3 Gc

**Operating limits (standard pumps)**

Max. ambient temperature	40 °C
Max. density treated liquid	1100 kg/m <sup>3</sup>
pH treated liquid	6 ÷ 14
Max. start per hour (equally distributed)	30
Wet/dry use	WET
Max. acoustic pressure level	70 dB
Operating mode	S1 - Continuous use

**Motor data**

Rated voltage	400 V
Frequency	50 Hz
Motor phases	3~
Number of poles	2
Rated power P2	1.50 kW
Incoming power P1	2.17 kW
Rated current	4.30 A
rpm	2900 1/min
cos φ	0.73
Rated torque	4.9 Nm
Start	Direct starting
Degree of protection	IP 68
Insulation class	F

**Construction materials**

Case	Cast iron EN-GJL 250
Shaft	Stainless steel AISI 431
Hydraulic	Cast iron - EN-GJL 250
Impeller	Cast iron - EN-GJL 250
Painting/Coating	Bi-epoxy 120 μm
Screws	Stainless steel - Class A2-70
Gaskets	NBR
Foot base (if present)	Cast iron - EN-GJS 600
Cutter	Chromium steel - X102 CrMo17 KU
Cutting disk	Chromium steel - X102 CrMo17 KU

**Construction features**

Main cable	4G1
Control cable	-
Cable length	10 mt
Mechanical seals	2 in silicon carbide (2SiC)
Additional drilling	-
Weight*	25 kg
Electrical variant	Thermal protection and relays

\* cable and fixing system excluded

**Hydraulic**

Type	GR (Impeller with grinder system)
Free passage	0 mm
Impeller type	Open channel impeller with grinder system
Suction	-
Discharge	DN 32 - G 1 1/2 EN 1092-2
Curve tolerance	UNI EN ISO 9906:2012

Rev. 0 - 16-12-2014

All data shown are not binding. Zenit reserves the right to change data and dimensions without notice.

Created on 2020-09-02

zenit.com

Page 1 / 3



better together

Data sheet

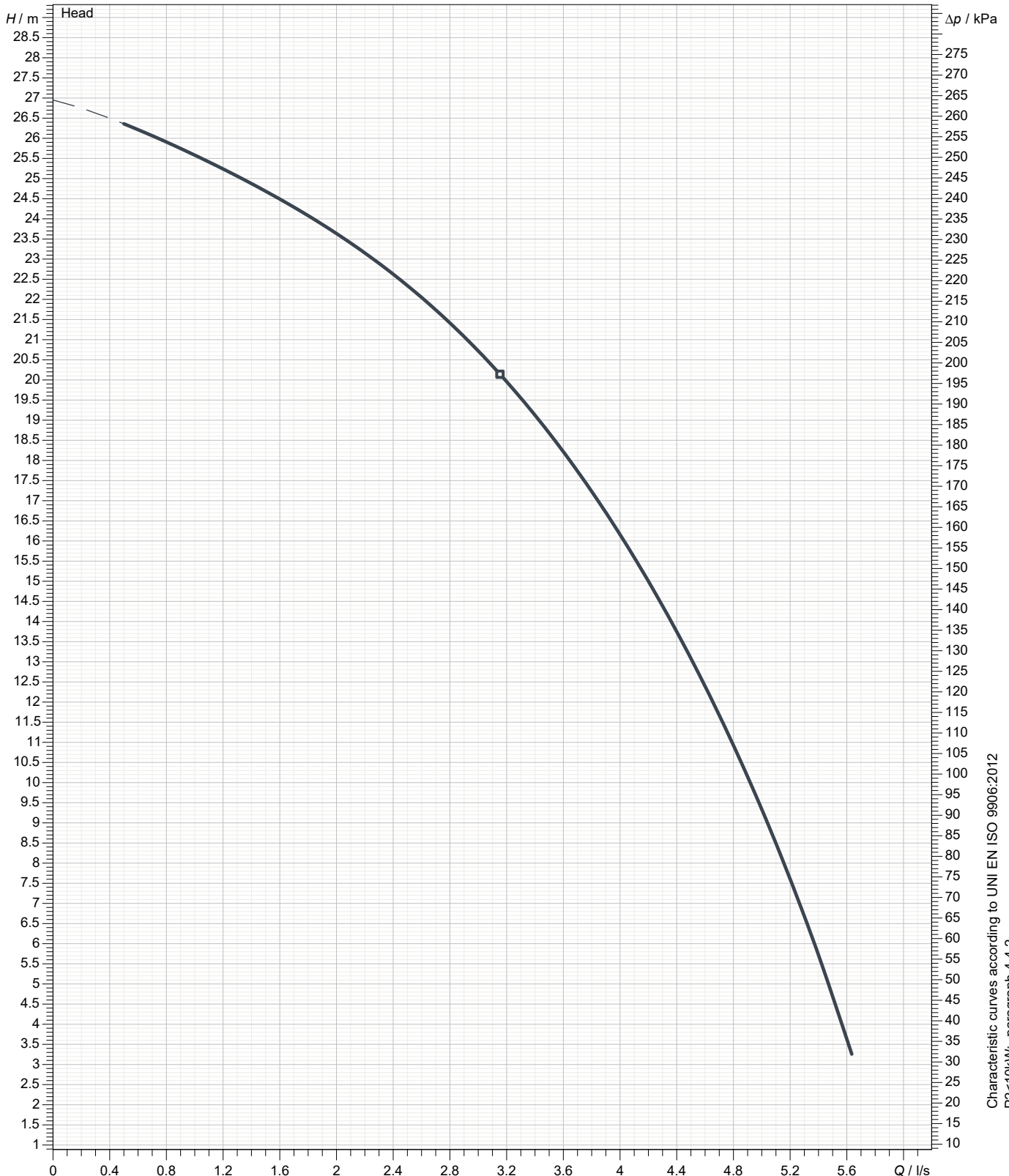
# GR BluePRO 200/2/G40H A1CT5

**blue**  
PROFESSIONAL  
series

## Pump performance curves

3~ 50 Hz

Hydraulic type GR (Impeller with grinder system)		Impeller type Open channel impeller with grinder system		Free passage Clears	Discharge DN 32 - G 1"1/2	Suction -
<b>DUTY POINT</b>						
Flow	Head	Shaft power P2	Hydraulic efficiency	Density 998.3 kg/m <sup>3</sup>	Viscosity 1.005 mm <sup>2</sup> /s	



Characteristic curves according to UNI EN ISO 9906:2012  
 P2 < 10kW: paragraph 4.4.2  
 10kW < P2 < 100kW: Grade 3B  
 P2 > 100kW: Grade 2B



better together

Data sheet

# GR BluePRO 200/2/G40H A1CT5

**blue**  
PROFESSIONAL  
series

## Dimensional drawing

3~ 50 Hz

**Installation type** Installation with bottom coupling device - Horizontal/vertical outlet

WET/DRY use: WET

Discharge: DN 32 - G 1 1/2 EN 1092-2

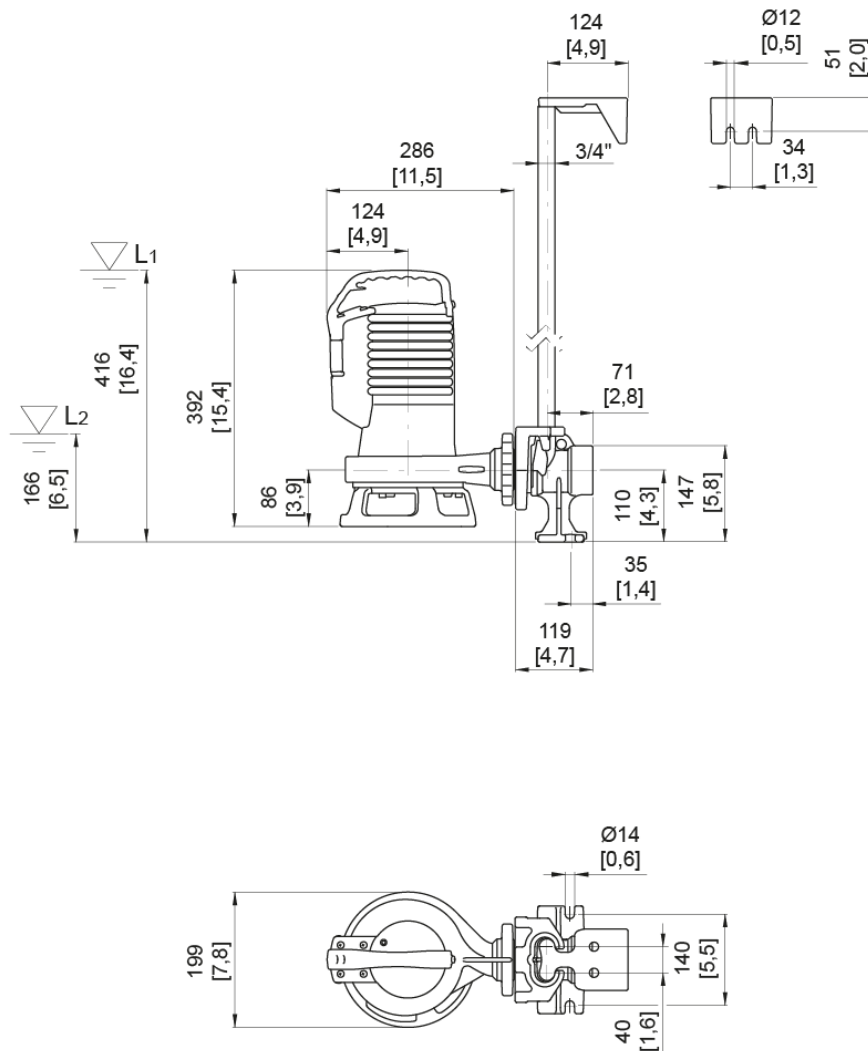
Suction: -

Pressure rating (suction/discharge): PN 6

Accessory \* : DAC 32-50/G50H-G50V+KAF 3/4" EN (P)

Accessory code \* : 9028.010

\* Accessory must be ordered separately



L1: Minimum operating level for continuous use  
L2: Minimum operating level for discontinuous use

[ mm ]  
[ inch ]